



Compressor Selection: Semi-hermetic Reciprocating Compressors

Input Values

Compressor model	(2EC-2.2Y)	Suction gas temperature	20,00 °C
Mode	Refrigeration and Air conditioning	Operating mode	Auto
Refrigerant	R134a	Power supply	400V-3-50Hz
Reference temperature	Dew point temp.	Capacity Control	100%
Liq. subc. (in condenser)	0 K	Useful superheat	100%

Result

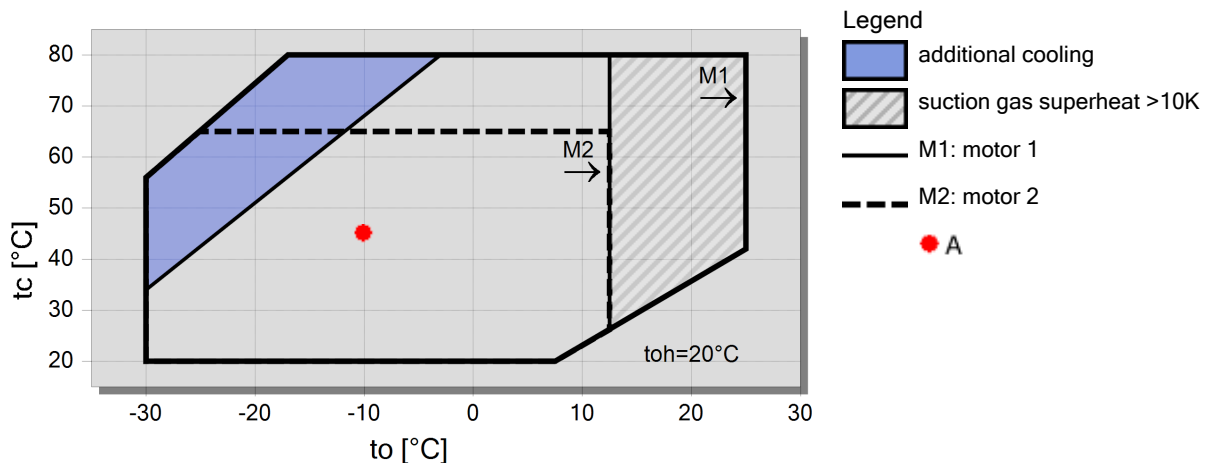
Q [W]	Cooling capacity	COP [-]	COP/EER
Q* [W]	Cooling capacity *	COP* [-]	COP/EER *
P [kW]	Power input	m [kg/h]	Mass flow
I [A]	Current	Op.	Operating mode
Qc [W]	Condenser Capacity	th [°C]	Discharge gas temp. w/o cooling

tc	to	10°C	0°C	-10°C	-20°C	-30°C	-40°C	-50°C	-60°C
30°C	Q [W]	8962	6050	3914	2374	1292	--	--	--
	Q* [W]	8962	6050	3914	2374	1292	--	--	--
	P [kW]	1,43	1,32	1,14	0,92	0,66	--	--	--
	I [A]	3,10	2,99	2,83	2,65	2,49	--	--	--
	Qc [W]	10388	7369	5056	3290	1952	--	--	--
	COP [-]	6,29	4,59	3,43	2,59	1,96	--	--	--
	COP* [-]	6,29	4,59	3,43	2,59	1,96	--	--	--
	m [kg/h]	188,1	125,0	79,9	48,1	26,0	--	--	--
	Op.	Standard	Standard	Standard	Standard	Standard	--	--	--
	th [°C]	54,9	67,9	82,9	100,6	123,0	--	--	--
40°C	Q [W]	7883	5295	3390	2014	1045	--	--	--
	Q* [W]	7883	5295	3390	2014	1045	--	--	--
	P [kW]	1,76	1,57	1,31	1,01	0,68	--	--	--
	I [A]	3,49	3,26	2,98	2,71	2,50	--	--	--
	Qc [W]	9647	6863	4699	3020	1723	--	--	--
	COP [-]	4,47	3,38	2,59	2,00	1,54	--	--	--
	COP* [-]	4,47	3,38	2,59	2,00	1,54	--	--	--
	m [kg/h]	181,1	119,6	75,6	44,5	23,0	--	--	--
	Op.	Standard	Standard	Standard	Standard	Standard	--	--	--
	th [°C]	66,2	80,1	96,1	115,0	138,6	--	--	--
50°C	Q [W]	6842	4572	2896	1681	825	--	--	--
	Q* [W]	6842	4572	2896	1681	825	--	--	--
	P [kW]	2,08	1,80	1,46	1,08	0,67	--	--	--
	I [A]	3,89	3,53	3,14	2,77	2,50	--	--	--
	Qc [W]	8926	6372	4353	2757	1497	--	--	--
	COP [-]	3,28	2,54	1,99	1,56	1,23	--	--	--
	COP* [-]	3,28	2,54	1,99	1,56	1,23	--	--	--
	m [kg/h]	174,2	114,2	71,4	41,0	20,0	--	--	--
	Op.	Standard	Standard	Standard	Standard	Standard	--	--	--
	th [°C]	77,9	92,6	109,5	129,5	0	--	--	--

-- No calculation possible (see message in single point selection)

*According to EN12900 (20°C suction gas temp., 0K liquid subcooling)

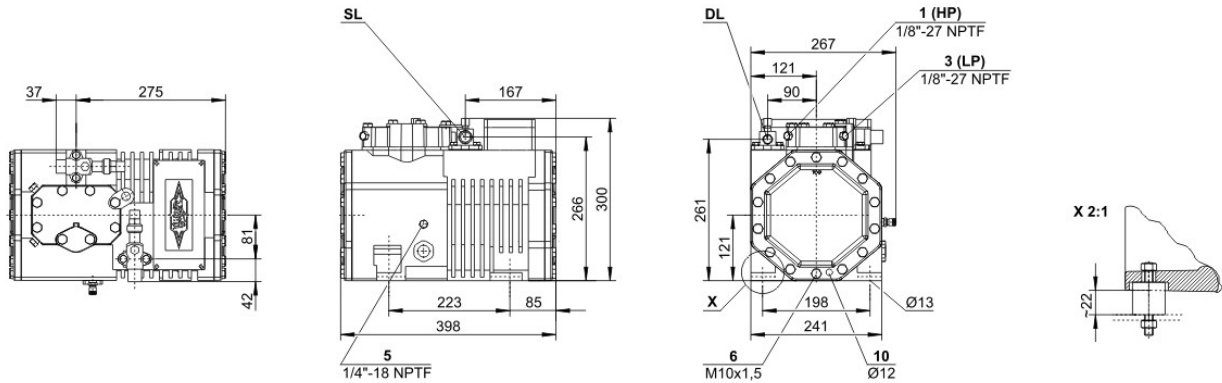
Application Limits 100% Octagon





Technical Data: (2EC-2.2Y)

Dimensions and Connections



Technical Data

Technical Data

Displacement (1450 RPM 50Hz)	11,36 m3/h
Displacement (1750 RPM 60Hz)	13,71 m3/h
No. of cylinder x bore x stroke	2 x 46 mm x 39,3 mm
Weight	67,5 kg
Max. pressure (LP/HP)	19 / 28 bar
Connection suction line	22 mm - 7/8"
Connection discharge line	16 mm - 5/8"
Oil type R134a/R407C/R404A/R507A/R407A/R407F	tc<55°C: BSE32 / tc>55°C: BSE55 (Option)
Oil type R22 (R12/R502)	B5.2 (Standard)
Oil type R290/R1270	SHC226E (Standard)

Motor data

Motor voltage (more on request)	380-420V Y-3-50Hz
Max operating current	5.7 A
Starting current (Rotor locked)	26.0 A
Max. Power input	3,3 kW

Extent of delivery (Standard)

Motor protection	SE-B1
Enclosure class	IP65
Vibration dampers	Standard
Oil charge	1,50 dm ³

Available Options

Additional fan	Option
Crankcase heater	0..120 W PTC (Option)

Sound measurement

Sound power level (-10°C / 45°C)	66,0 dB(A) @ 50Hz
Sound power level (-35°C / 40°C)	68,0 dB(A) @ 50Hz
Sound pressure level @ 1m (-10°C / 45°C)	58,0 dB(A) @ 50Hz
Sound pressure level @ 1m (-35°C / 40°C)	60,0 dB(A) @ 50Hz